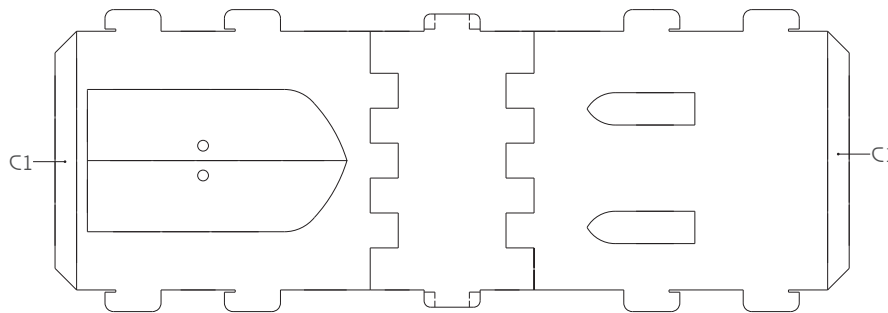


Castle Wall Assembly Instructions

(Registered Design 4002674) Please retain this document for future reference.

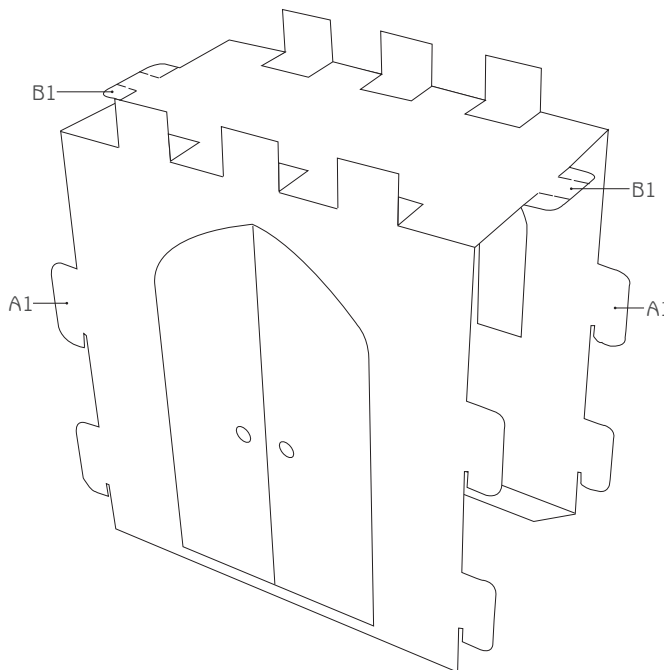
Please fold all creases well prior to assembly of toy and ensure all parts are securely connected.

Step 1



- Fold flaps (C1) inwards for stability.

Step 2



- Insert tabs (A1 & B1) on castle wall into adjacent slots on assembled turret and gently pull down to lock into place.
- Bend smaller flaps on tabs (B1) up to lock castle wall into place. Repeat for opposite side.

The castle wall is designed primarily for indoor use but is also suitable for outdoor use in dry, calm conditions. The castle wall should be stored in a dry place and should be kept away from fire or any naked flame. The castle wall should be inspected regularly before, during and after use for any signs of damage, which could cause potential injury.

WARNING : This product should be kept out of the reach of very young children and only be used under the direct supervision of an adult.