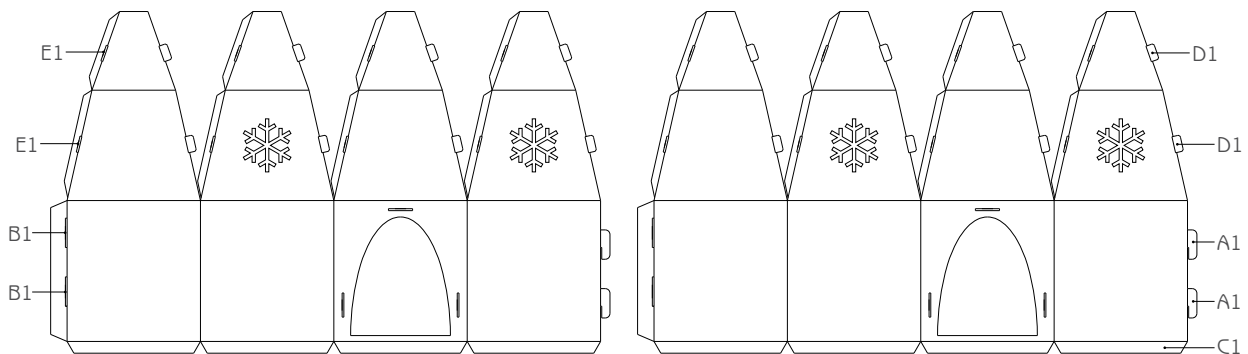


Igloo Assembly Instructions

(Registered Design 4002672) Please retain this document for future reference.

Please fold all creases well prior to assembly of toy and ensure all parts are securely connected.

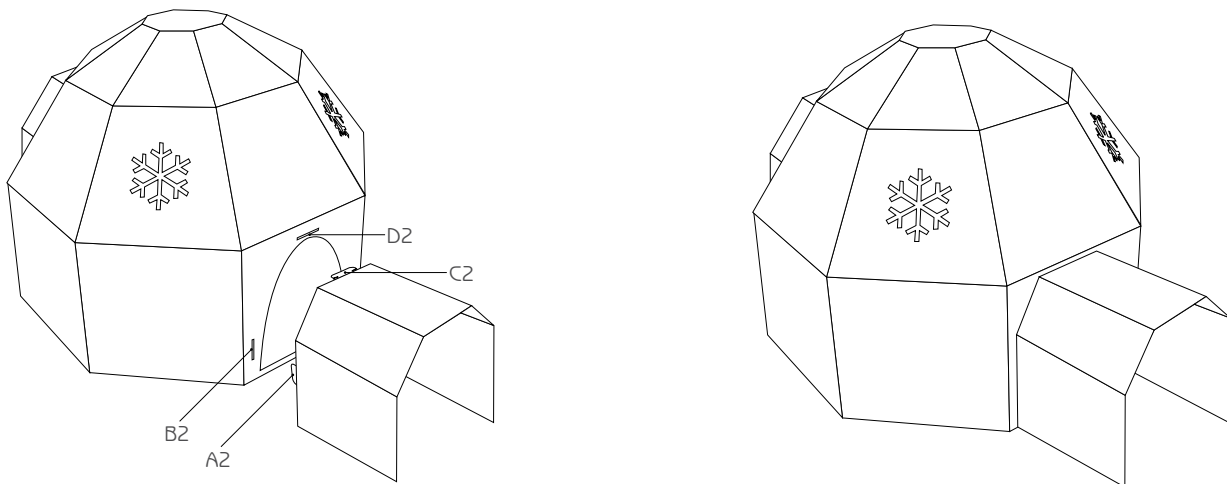
Step 1



- Insert tabs (A1) into slots (B1) and gently pull down to lock into place. Repeat to join both ends.
- Fold flaps (C1) inwards for stability.
- Insert tabs (D1) at top into adjacent slots (E1), starting at one end and continuing clockwise.

Step 2

Assembled Igloo



- Insert tabs (A2) on tunnel into adjacent slots (B2) and gently pull down to lock into place.
- Bend smaller flap (C2) into slot (D2) to lock tunnel into place. Repeat for opposite side.

The igloo is designed primarily for indoor use but is also suitable for outdoor use in dry, calm conditions. The igloo should be stored in a dry place and should be kept away from fire or any naked flame. The igloo should be inspected regularly before, during and after use for any signs of damage, which could cause potential injury.

WARNING : This product should be kept out of the reach of very young children and only be used under the direct supervision of an adult.