

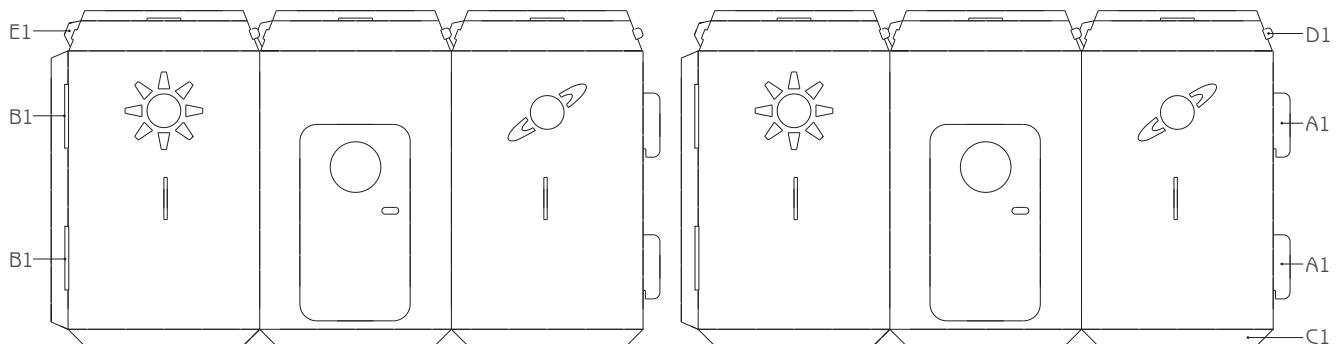


Rocket Assembly Instructions

(Registered Design 4002673) Please retain this document for future reference.

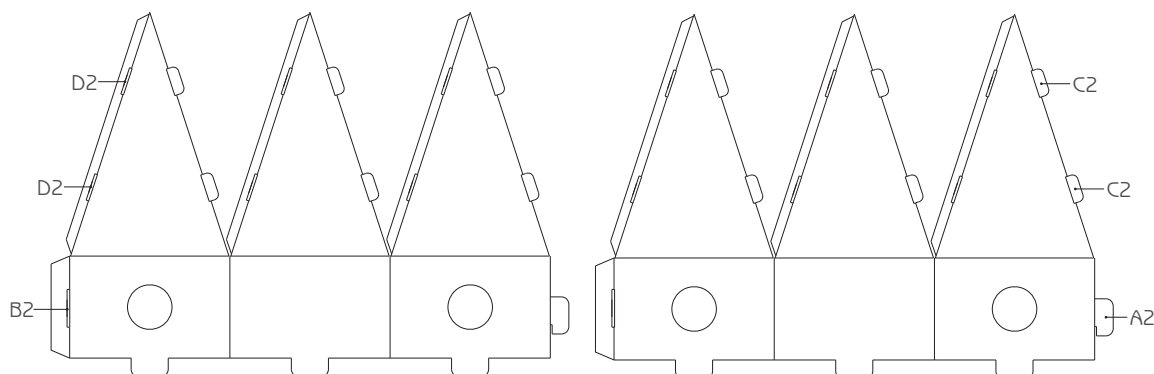
Please fold all creases well prior to assembly of toy and ensure all parts are securely connected.

Step 1



- Insert tabs (A1) into slots (B1) at opposite end of turret base and gently pull down to lock into place.
- Fold flaps (C1) inwards for stability.
- Insert tabs (D1) at top into adjacent slots (E1) starting at one end and continuing clockwise.

Step 2



- Insert tabs (A2) into adjacent slots (B2) and gently pull down to lock into place. Repeat to join both ends.
- Insert tabs (C2) into adjacent slots (D2), starting at one end and continuing clockwise.

The rocket is designed primarily for indoor use but is also suitable for outdoor use in dry, calm conditions. The rocket should be stored in a dry place and should be kept away from fire or any naked flame. The rocket should be inspected regularly before, during and after use for any signs of damage, which could cause potential injury.

WARNING : This product should be kept out of the reach of very young children and only be used under the direct supervision of an adult.

www.cardboardtoys.com

Postpack Ltd T/A Kid-Eco

Units 1,2 & 4, Hollis Road, Grantham, Lincs. NG31 7QH
tel: 0845 071 0761 | fax: 0845 071 0766 | email: sales@kideco.co.uk



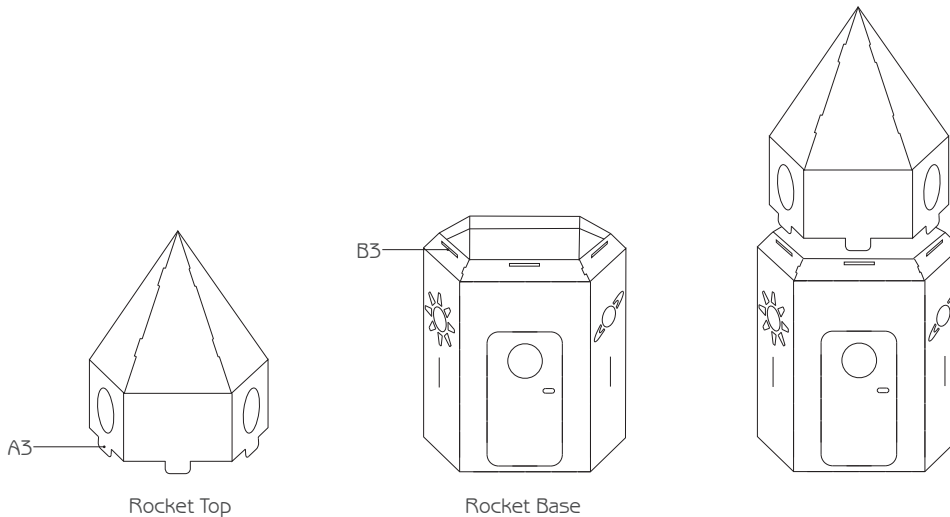


Rocket Assembly Instructions

(Registered Design 4002673) Please retain this document for future reference.

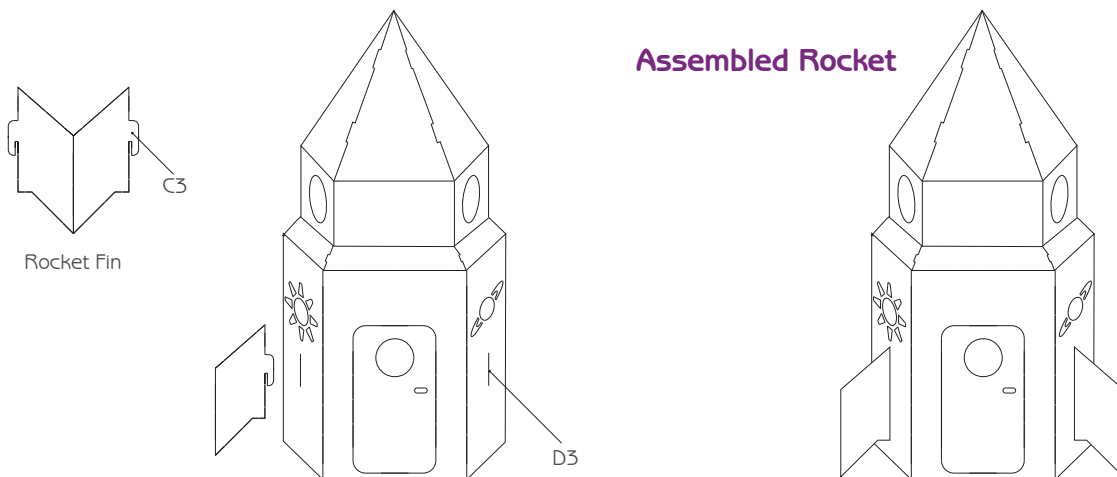
Please fold all creases well prior to assembly of toy and ensure all parts are securely connected.

Step 3



- Insert tabs (A3) on the rocket top into adjacent slots (B3) in rocket base.

Step 4



- Fold each of the fins in half along the centre creases and insert tabs (C3) into slots (D3) and gently pull down to lock into place.

The rocket is designed primarily for indoor use but is also suitable for outdoor use in dry, calm conditions. The rocket should be stored in a dry place and should be kept away from fire or any naked flame. The rocket should be inspected regularly before, during and after use for any signs of damage, which could cause potential injury.

WARNING : This product should be kept out of the reach of very young children and only be used under the direct supervision of an adult.

www.cardboardtoys.com

Postpack Ltd T/A Kid-Eco

Units 1,2 & 4, Hollis Road, Grantham, Lincs. NG31 7QH
tel: 0845 071 0761 | fax: 0845 071 0766 | email: sales@kideco.co.uk

